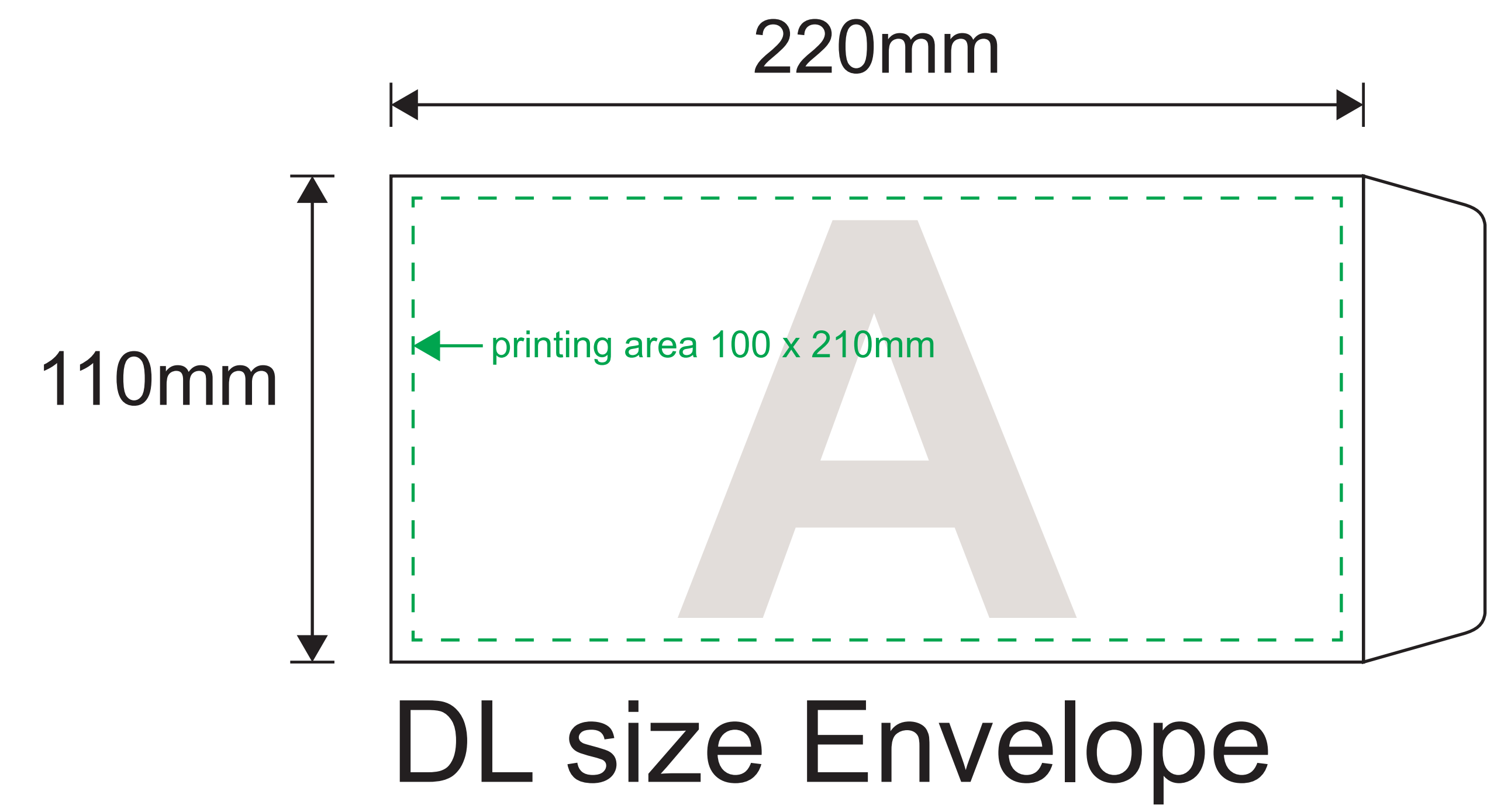


Envelope Printing guide - 02/09/2021



***(NO BORDERLESS ALLOW)**

