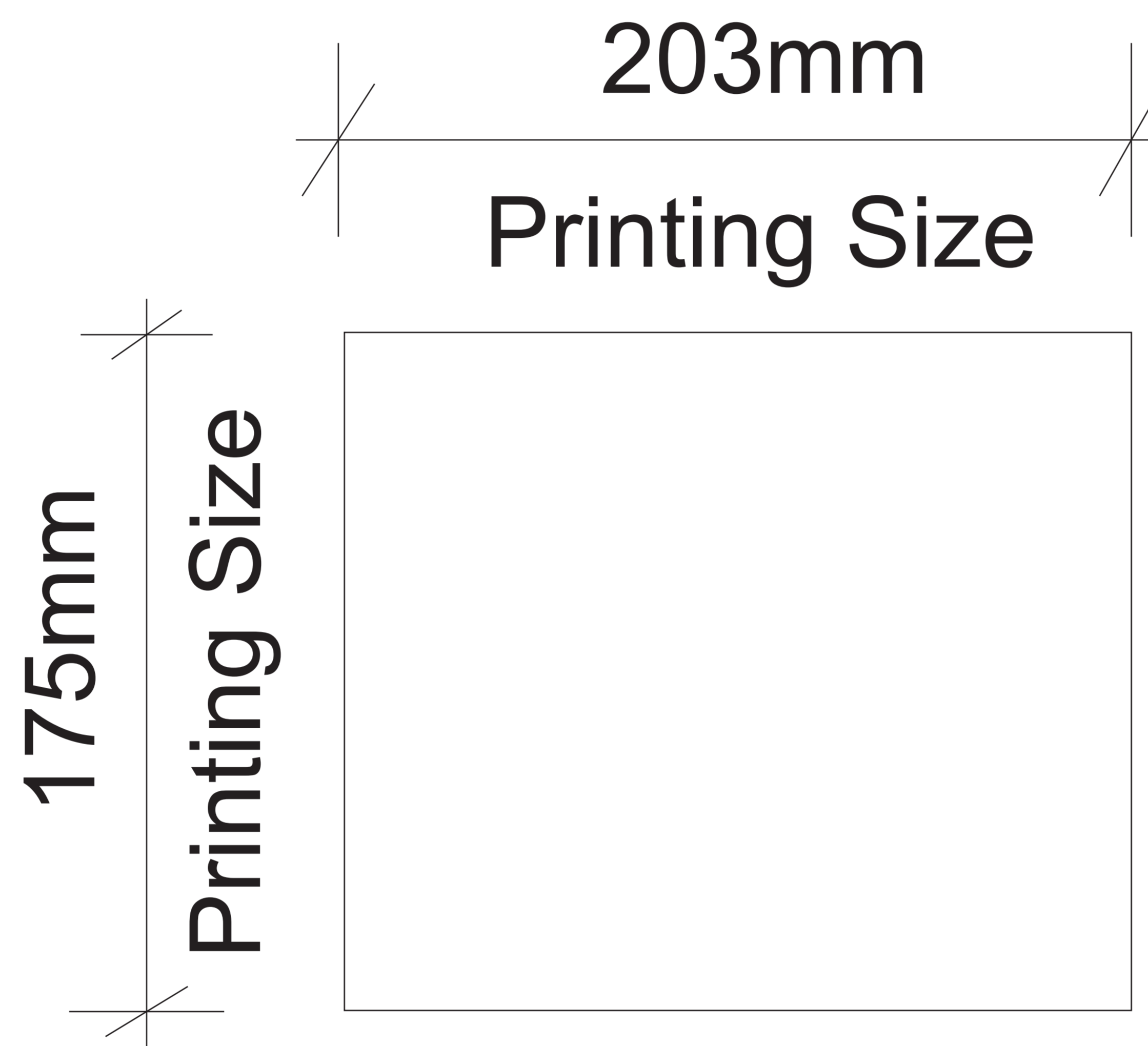


BALLOT BOX LARGE

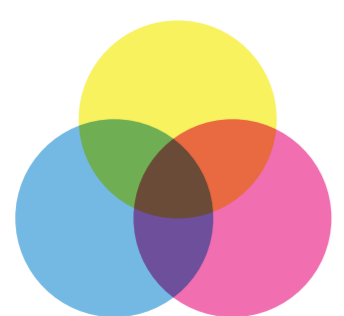
A-BB-02



Unit : Millimetres (mm)

————— Print Area

ARTWORK GUIDELINES



Color Format : CMYK



File Format : PDF, EPS



Important Text & Images In Safe Area